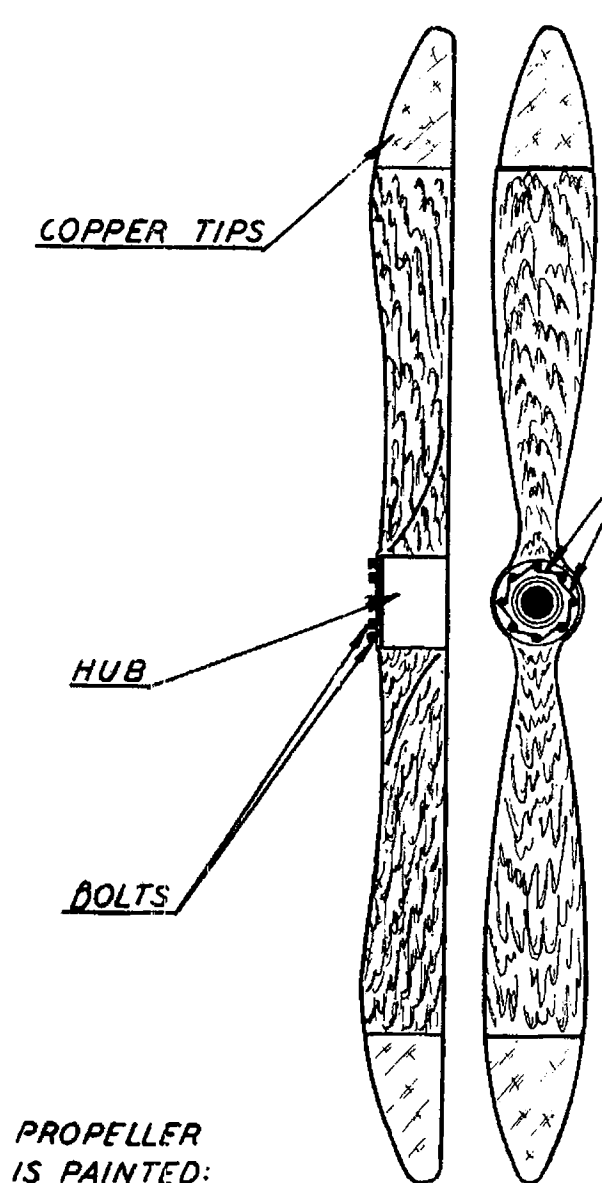
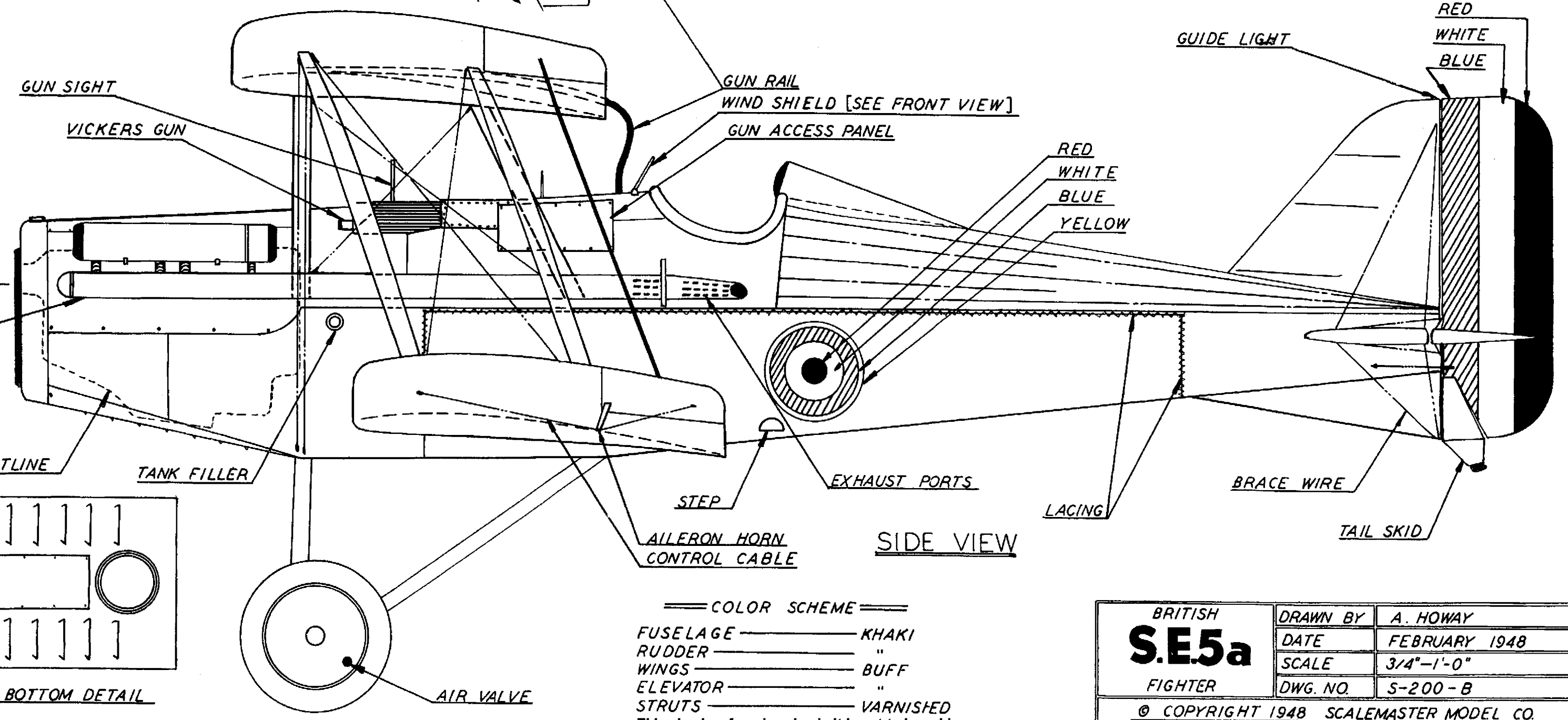
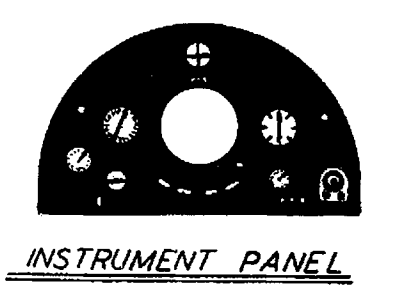
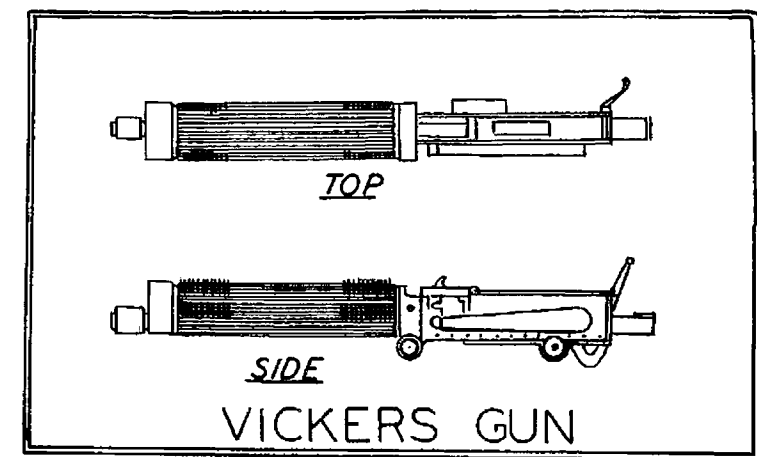
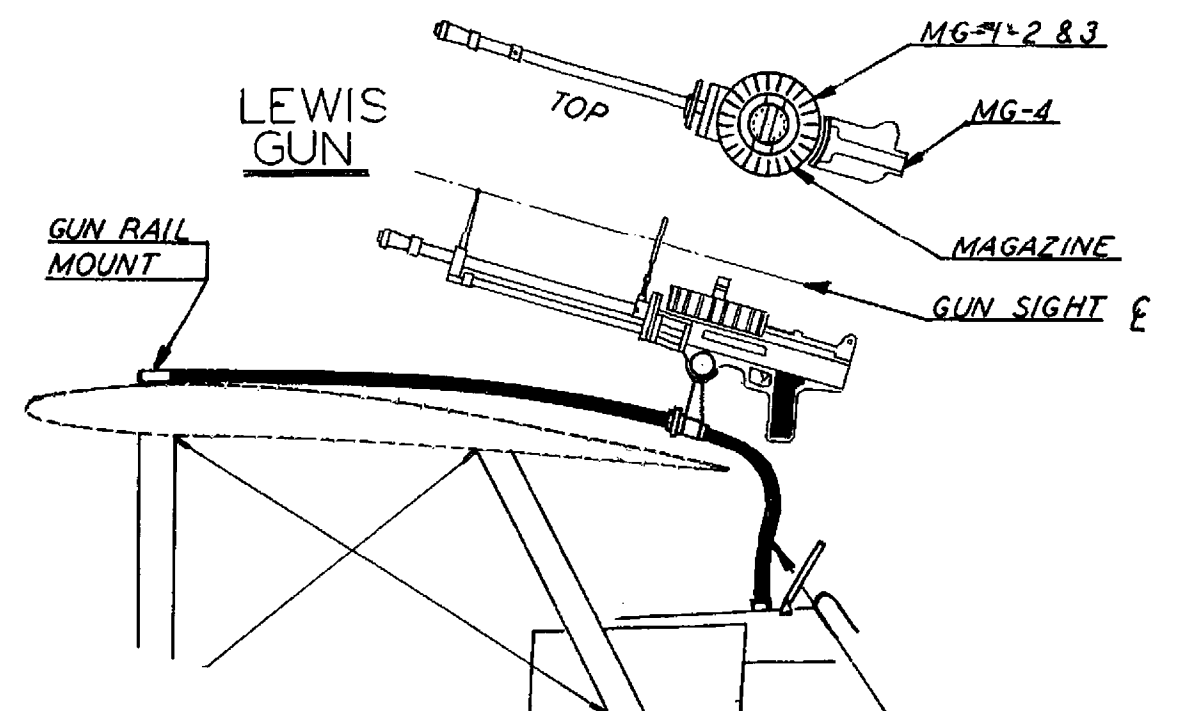
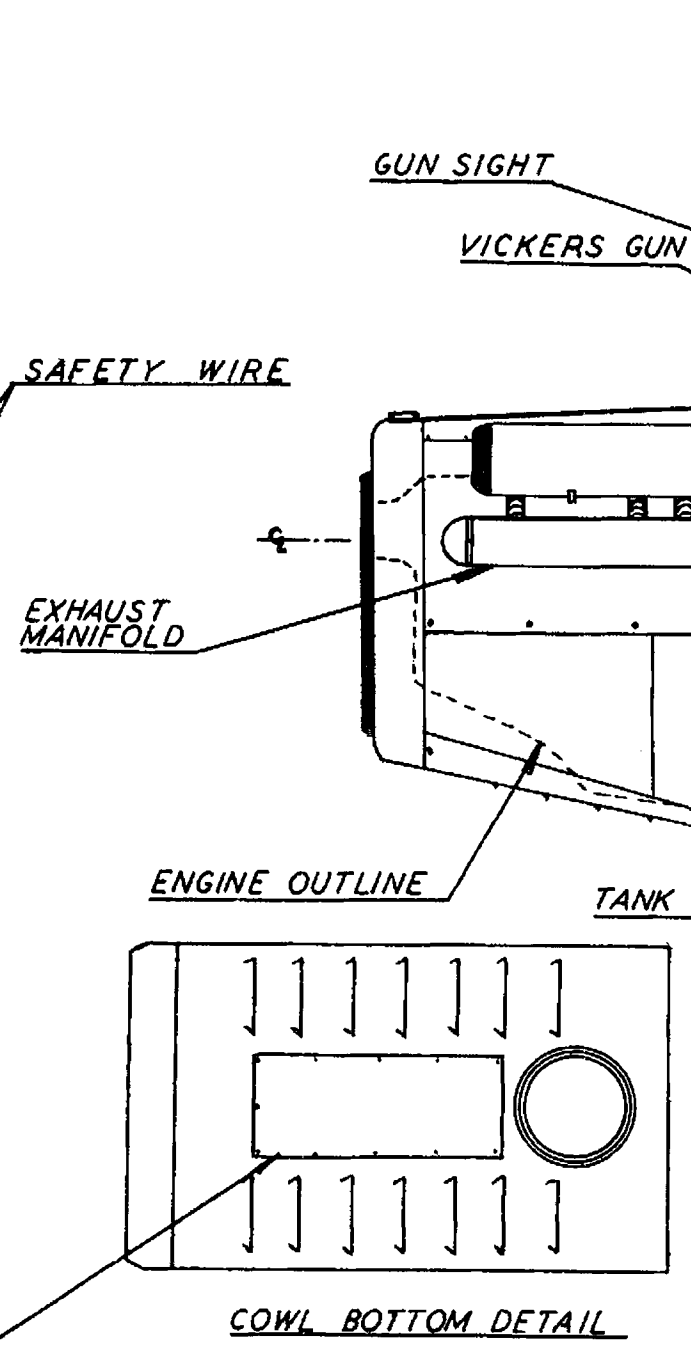


FRONT VIEW



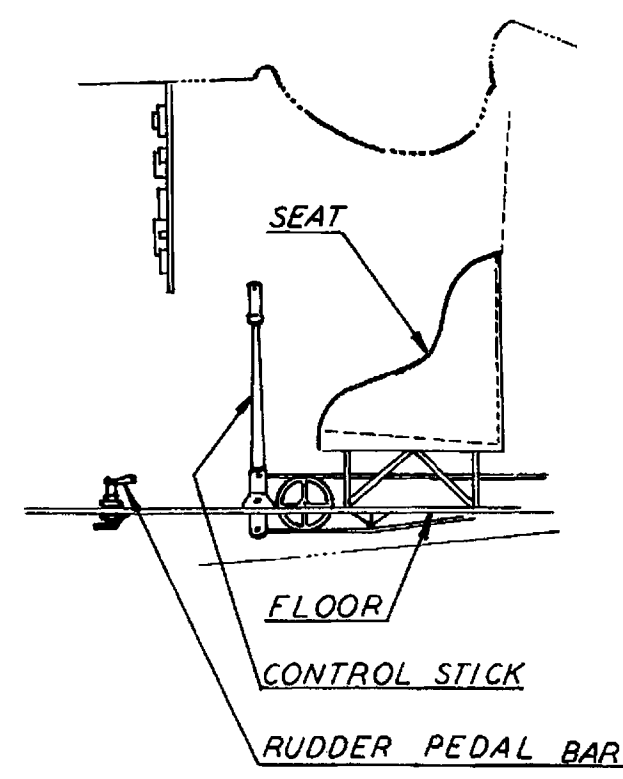
PROPELLER IS PAINTED: DULL BLACK



SIDE VIEW

- COLOR SCHEME**
- FUSELAGE ——— KHAKI
 - RUDDER ——— "
 - WINGS ——— BUFF
 - ELEVATOR ——— "
 - STRUTS ——— VARNISHED

This plan is a free download- it is not to be sold



SPECIFICATIONS

- SPAN ----- 26-9"
- LENGTH-----21'-3"
- WING CORD-----5'-0"
- TOP SPEED-----123 MPH
- SPEED 10,000 FEET-----115 MPH
- LANDING SPEED-----50 MPH
- CEILING -----19,400 feet
- ENGINE-----Hispano-Suiza
- TYPE-----V-type 8 cyl.
- POWER-----150 HP
- WEIGHT (Lbs)-----2,051

THE S.E.5 WAS FIRST CONSTRUCTED BY THE ROYAL AIRCRAFT FACTORY OF ENGLAND, IN 1916. FIRST TEST WAS MADE IN EARLY 1917

(MODEL'S TOTAL WING AREA IS 142.25 SQUARE INCHES)

BRITISH	DRAWN BY	A. HOWAY
S.E.5a	DATE	FEBRUARY 1948
FIGHTER	SCALE	3/4"-1'-0"
	DWG. NO.	S-200-B
© COPYRIGHT 1948 SCALEMASTER MODEL CO.		
Restored: Oct. 2010 pd1 All rights reserved		